

Two Drawer Counter Prep Station Variable Temperature Unit + Solid Worktop



Prep Counter unit with
4 Basket Fry Station Worktop

VCR2/C/FR4



VCR2/CW
Standard Casters (C)
Solid Worktop (W)

Temperature Flexibility

Foods can be stored at the optimum set point anywhere in the range

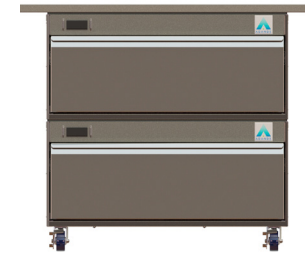


With the press of a button on the Controller the Chef can convert the Drawer from Refrigerator to Freezer operation (and vice versa) in little more than 30 minutes

Operating Temperature

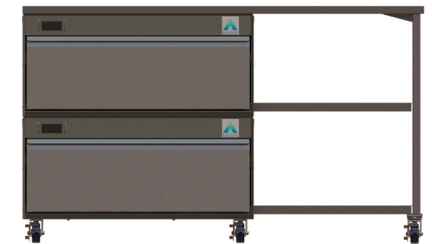
Tested under **NSF/ANSI 7:2014**
Adande Drawers operate efficiently in ambients up to **100.4°F (38°C)**

Customised Two Drawer Prep Stations Variable Temp Unit + Extended Worktops



VCR2/C/EXT38W
Standard Casters (C)
Extended 38" Solid Worktop (EXT38W)

VCR2/C/EXT60W
Standard Casters (C)
Extended 60" Solid Worktop (EXT60W) with Storage Shelves



Note: Caster Based 60" Extensions can be fitted to the left or right

Refrigerant

VCR2 units operate on energy saving Hydrocarbon R290

Storage Capacity / Drawer

Hotel Pans (HP)
4 standard size HP
20" x 12" x 4" Deep
or the equivalent

Maximum Weight
88 lb (40 kg)

Storage Volume
3 cu ft (86 litres)

Warranty

Two Year Parts & Labor (including the **Gaskets**) and a **5 Year Warranty** on **Compressors**

Full Warranty Terms available on request

Applications

- Bulk storage at the point of use, in the heart of the kitchen
- Ideal for meat, deli and larder prep
- Suitable for pastry and dessert prep
- Perfect storage for garnish and and 'mise en place' generally
- Frozen storage next to the deep fry station

Energy Usage

Tested under the **ASHRAE 72:2005** Standard, the daily **Energy Usage** per Drawer unit is -

Refrigerator mode:
0.82 kWhr / 24 hrs

Freezer mode:
1.73 kWhr / 24 hrs

Electrical

Mains Supply
120 Vac 60 Hz
Running Current
2 Amps

Supply Cord (included)
NEMA 5-15 3 Pin Socket
& 2m Coiled Lead



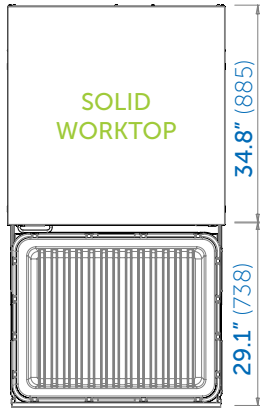
Intertek 5003563

PREP STATION - TWO DRAWER - REAR ENGINE - COUNTER UNITS - VCR2 SERIES



Plan View |

Prep Station (VCR2)
with Open Drawer

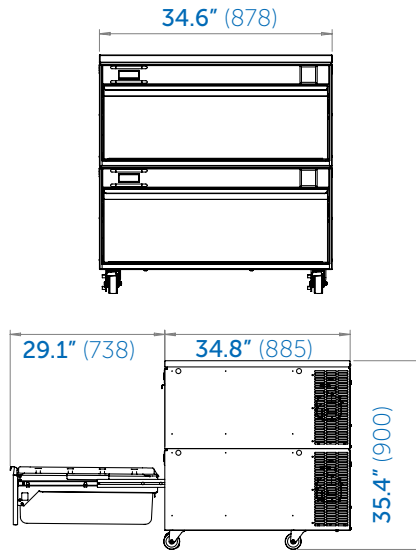


Extended Tops

To accommodate larger equipment Solid Worktop (W) tops can be extended to 48" or 60"

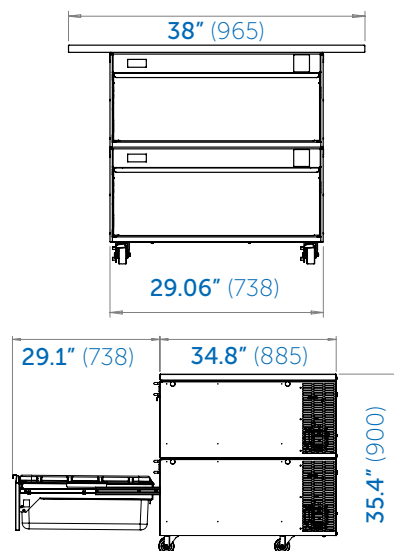
Elevations |

Counter Prep Station (VCR2)
Standard Casters (C)
Solid Worktop (W)



VCR2/CW (illustrated)

Extended Counter Prep Station (VCR2)
Standard Casters (C)
Extended Solid Worktop (EXT38W)



VCR2/C/EXT38W (illustrated)

Top |



Double Drawer Module

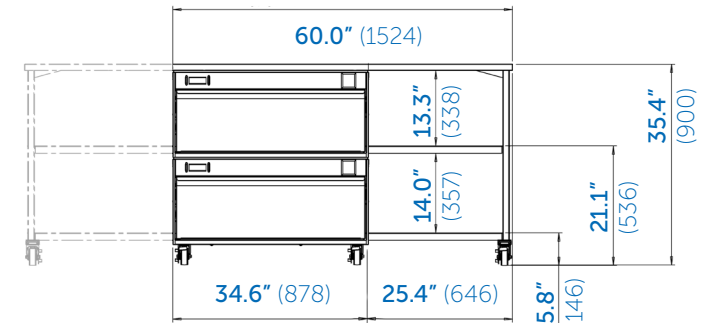


Bases |



Elevation |

Extended Counter Prep Station (VCR2)
Standard Casters (C)
Extended Solid Worktop (EXT60W)



VCR2/C/EXT60W (illustrated - right hand extension)

ADANDE USA - SPECIFICATION OPTIONS

Rear Engine Two Drawer Prep Station

PREP STATION + SOLID WORKTOP (W)	High Caster Base (HC)	Standard Caster Base (C)	Small Caster Base (SC)
Finished Height	37.3" (948 mm)	35.4" (900 mm)	34.1" (867 mm)
Load Bearing Capacity	507 lb (230 kg)	507 lb (230 kg)	507 lb (230 kg)
	VCR2/HCW	VCR2/CW	VCR2/SCW

Rear Engine Prep Station + Extended Worktops

PREP STATION + EXTENDED WORKTOP (EXT)	High Caster Base (HC)	Standard Caster Base (C)	Small Caster Base (SC)
Finished Height	37.3" (948 mm)	35.4" (900 mm)	34.1" (867 mm)
Load Bearing Capacity	507 lb (230 kg)	507 lb (230 kg)	507 lb (230 kg)
	VCR2/HC/EXT48W or VCR2/HC/EXT60W	VCR2/C/EXT48W or VCR2/C/EXT60W	VCR2/SC/EXT48W or VCR2/SC/EXT60W