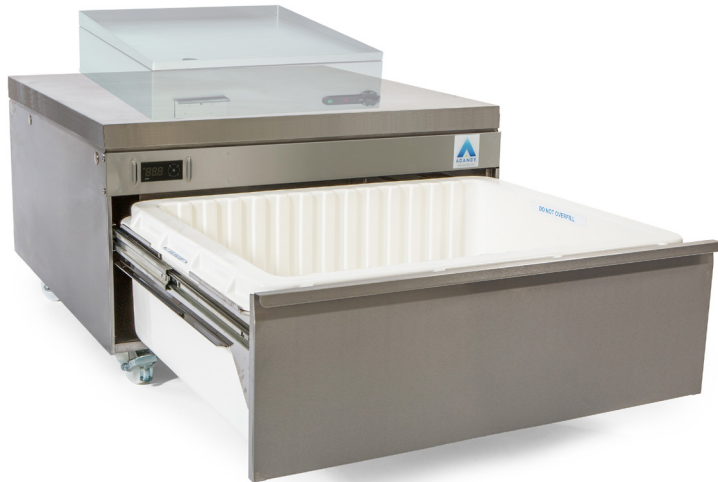


Hot Cook Range Applications Drawer Unit + Heat Shield Top



Refrigerant
Energy Saving
Hydrocarbon R290

VCR1/HCHS
Standard Casters (C)
Heat Shield Top (HS)

Temperature Flexibility

Foods can be stored at the optimum set point anywhere in the range



With the press of a button on the Controller the Chef can convert the Drawer from Refrigerator to Freezer operation (and vice versa) in little more than 30 minutes

Operating Temperature

Tested under NSF/ANSI 7:2014
Adande Drawers operate efficiently in ambients up to 100.4°F (38°C)

Hot Cook Range Applications Drawer Unit + Extended Heat Shield Tops



VCR1/C/EXT38HS
Standard Casters (C)
Extended 38" Heat Shield (EXT38HS)

VCR1/C/EXT60HS
Standard Casters (C)
Extended 60" Heat Shield (EXT60HS)
with Storage Shelf



Note: Caster Based 60" Extensions can be fitted to the left or right

Refrigerant
Energy Saving
Hydrocarbon R290

Storage Capacity / Drawer

Hotel Pans (HP)
4 standard size HP
20" x 12" x 4" Deep
or the equivalent

Maximum Weight
88 lb (40 kg)

Storage Volume
3 cu ft (86 litres)

Warranty

Two Year Parts & Labor (including the **Gaskets**) and a **5 Year Warranty** on **Compressors**

Full Warranty Terms available on request

Applications

- Bulk storage at the point of use in the cook range
- Designed for heavy cooking equipment, mounted on either a Heat Shield or Solid Worktop
- Ideal for meat and fish at the optimum storage temperature for each

Energy Usage

Tested under the **ASHRAE 72:2005** Standard, the daily **Energy Usage** per Drawer unit is -

Refrigerator mode:
0.82 kWhr / 24 hrs

Freezer mode:
1.73 kWhr / 24 hrs

Electrical

Mains Supply
120 Vac 60 Hz
Running Current
2 Amps

Supply Cord (included)
NEMA 5-15 3 Pin Socket
& 2m Coiled Lead



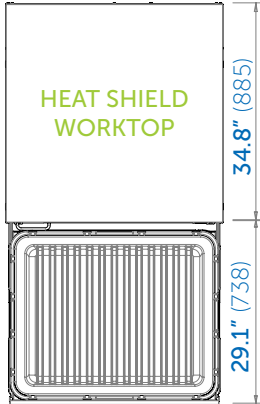
Intertek 5003563

CHEF BASE - HEAT SHIELD WORKTOP - REAR ENGINE DRAWER UNIT - VCR1 SERIES



Plan View |

Chef Base VCR1
with Open Drawer

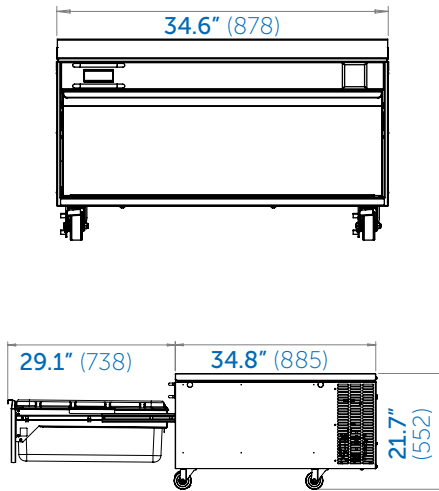


Extended Tops

To accommodate larger equipment Heat Shield (HS) tops can be extended to 48" or 60"

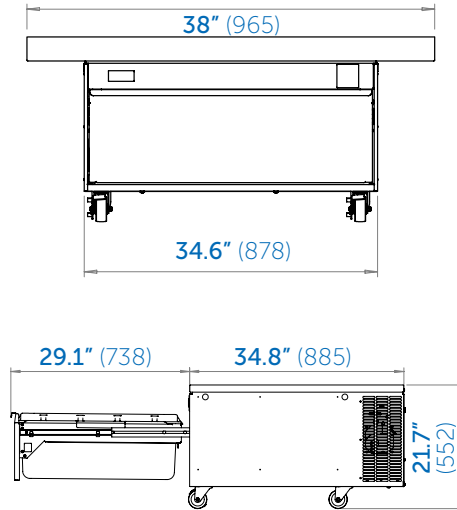
Elevations |

Chef Base VCR1
Standard Casters (C)
Heat Shield Top (HS)



VCR1/CHS (illustrated)

Extended Chef Base VCR1
Standard Casters (C)
Extended Heat Shield Top (EXT38HS)



VCR1/C/EXT38HS (illustrated)

Top |



Drawer Module |

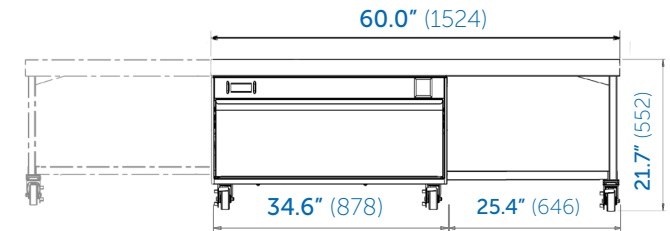


Bases |



Elevation |

Extended Chef Base VCR1
Standard Casters (C)
Extended Heat Shield Top (EXT60HS)



VCR1/C/EXT60HS (illustrated - right hand extension)

ADANDE USA - SPECIFICATION OPTIONS

Rear Engine Chef Base + Heat Shield Top

CHEF BASE + HEAT SHIELD (HS)	High Caster Base (HC)	Standard Caster Base (C)	Small Caster Base (SC)
Finished Height	23.6" (600 mm)	21.7" (552 mm)	20.5" (520 mm)
Load Bearing Capacity	507 lb (230 kg)	507 lb (230 kg)	507 lb (230 kg)
	VCR1/HCHS	VCR1/CHS	VCR1/SCHS

Rear Engine Chef Base + Extended Heat Shield Tops

CHEF BASE+ EXTENDED HEAT SHIELD	High Caster Base (HC)	Standard Caster Base (C)	Small Caster Base (SC)
Finished Height	23.6" (600 mm)	21.7" (552 mm)	20.5" (520 mm)
Load Bearing Capacity	507 lb (230 kg)	507 lb (230 kg)	507 lb (230 kg)
	VCR1/HC/EXT48HS or VCR1/HC/EXT60HS	VCR1/C/EXT48HS or VCR1/C/EXT60HS	VCR1/SC/EXT48HS or VCR1/SC/EXT60HS