

Under Counter 2 Drawer Unit Prep Station Unit + Cover Top



Refrigerant
Energy Saving
Hydrocarbon R290

VCR2/SCT
Small Casters (SC)
Cover Top (T) Non Load Bearing

Under Counter 1 Drawer Unit Single Drawer + Cover Top



VCR1/SCT
Small Casters (SC)
Cover Top (T) Non Load Bearing

Refrigerant
Energy Saving
Hydrocarbon R290

Temperature Flexibility

Foods can be stored at the optimum set point anywhere in the range

+59°F ← → -7.6°F
 +15°C ← → -22°C

With the press of a button on the Controller the Chef can convert the Drawer from Refrigerator to Freezer operation (and vice versa) in little more than 30 minutes

Operating Temperature

Tested under **NSF/ANSI 7:2014**
 Adande Drawers operate efficiently in ambients up to **100.4°F (38°C)**

Storage Capacity / Drawer

Hotel Pans (HP)
4 standard size HP
20" x 12" x 4" Deep
or the equivalent

Maximum Weight
88 lb (40 kg)

Storage Volume
3 cu ft (86 litres)

Warranty

Two Year Parts & Labor (including the **Gaskets**) and a **5 Year Warranty** on **Compressors**

Full Warranty
Terms available on request

Applications

- Bulk storage at the point of use, in the heart of the kitchen
- Ideal for meat, deli and larder prep
- Suitable for pastry and dessert prep
- Perfect storage for garnish and and 'mise en place' generally
- Frozen storage next to the deep fry station

Energy Usage

Tested under the **ASHRAE 72:2005** Standard, the daily **Energy Usage** per Drawer unit is -

Refrigerator mode:
0.82 kWhr / 24 hrs

Freezer mode:
1.73 kWhr / 24 hrs

Electrical

Mains Supply
120 Vac 60 Hz
Running Current
2 Amps

Supply Cord (included)
NEMA 5-15 3 Pin Socket
& 2m Coiled Lead



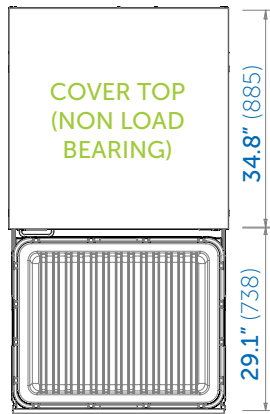
Intertek 5003563

UNDER COUNTER - REAR ENGINE DRAWER UNITS - VCR1 & VCR2 SERIES



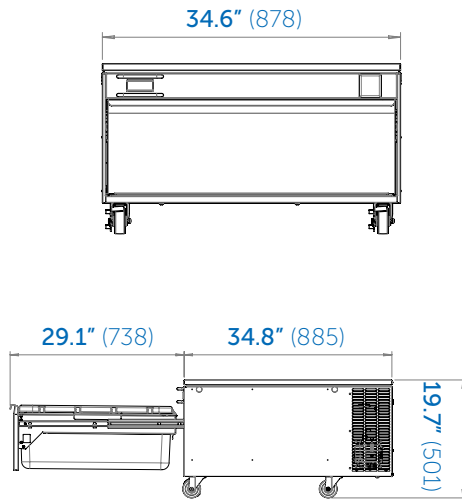
Plan View |

- Under Counter
 - Prep Station (VCR2)
 - Storage Drawer (VCR1)
- with
Open Drawer



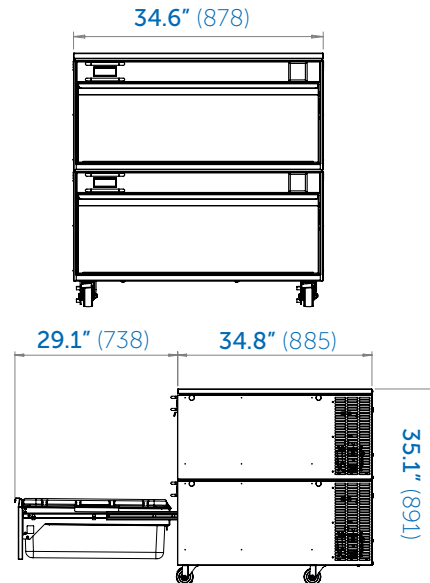
Elevations |

- Under Counter Storage Drawer (VCR1)
- Standard Casters (C)
- Cover Top (T)



VCR1/CT (illustrated)

- Under Counter Prep Station (VCR2)
- Standard Casters (C)
- Cover top (T)



VCR2/CT (illustrated)

Top |



Drawer Modules |



VCR2
30.7"
(780 mm)



VCR1
15.4"
(390 mm)

Bases |



ADANDE USA - SPECIFICATION OPTIONS

Under Counter Rear Engine Prep Station

PREP STATION UNIT + COVER TOP (T)	High Caster Base (HC)		Standard Caster Base (C)		Small Caster Base (SC)	
Finished Height	36.9" (938 mm)	VCR2/HCT	35.1" (891 mm)	VCR2/CT	33.8" (858 mm)	VCR2/SCT
Load Bearing Capacity	0 lb		0 lb		0 lb	

Under Counter Rear Engine Unit

SINGLE DRAWER UNIT + COVER TOP (T)	High Caster Base (HC)		Standard Caster Base (C)		Small Caster Base (SC)	
Finished Height	21.6" (548 mm)	VCR1/HCT	19.7" (501 mm)	VCR1/CT	18.4" (468 mm)	VCR1/SCT
Load Bearing Capacity	0 lb		0 lb		0 lb	