

Cook Range Applications Drawer Unit + Solid Worktop



Refrigerant
Energy Saving
Hydrocarbon R290

VCR1/CW
Standard Casters (C)
Solid Worktop (W)

Storage Capacity / Drawer

Hotel Pans (HP)
4 standard size HP
20" x 12" x 4" Deep
or the equivalent

Maximum Weight
88 lb (40 kg)

Storage Volume
3 cu ft (86 litres)

Warranty

Two Year Parts & Labor (including the **Gaskets**) and a **5 Year Warranty** on **Compressors**

Full Warranty
Terms available
on request

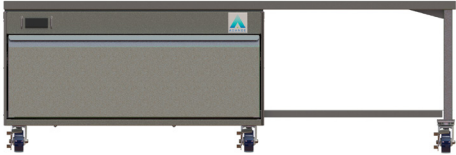
Applications

- Bulk storage at the point of use in the cook range
- Designed for heavy cooking equipment, mounted on either a Heat Shield or Solid Worktop
- Ideal for meat and fish at the optimum storage temperature for each

Cook Range Applications Drawer Unit + Extended Solid Worktops



VCR1/C/EXT38W
Standard Casters (C)
Extended 38" Solid
Worktop (EXT38W)



VCR1/C/EXT60W
Standard Casters (C)
Extended 60" Solid
Worktop (EXT60W)
with Storage Shelf

Note: Caster Based 60" Extensions can be fitted to the left or right

Refrigerant
Energy Saving
Hydrocarbon R290

Energy Usage

Tested under the **ASHRAE 72:2005** Standard, the daily **Energy Usage** per Drawer unit is -

Refrigerator mode:
0.82 kWhr / 24 hrs

Freezer mode:
1.73 kWhr / 24 hrs

Electrical

Mains Supply
120 Vac 60 Hz
Running Current
2 Amps

Supply Cord (included)
NEMA 5-15 3 Pin Socket
& 2m Coiled Lead



Intertek 5003563

Temperature Flexibility

Foods can be stored at the optimum set point anywhere in the range

+59°F ← → -7.6°F

 +15°C ← → -22°C

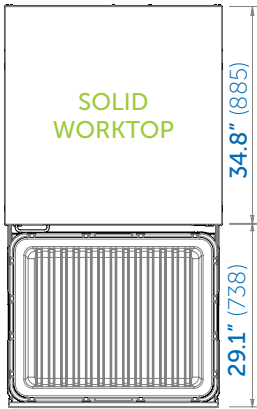
With the press of a button on the Controller the Chef can convert the Drawer from Refrigerator to Freezer operation (and vice versa) in little more than 30 minutes

Operating Temperature

Tested under **NSF/ANSI 7:2014**
Adande Drawers operate efficiently in ambients up to **100.4°F (38°C)**

Plan View |

Chef Base VCR1
With Open Drawer

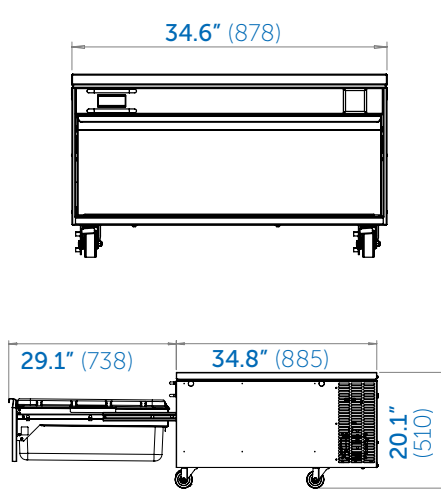


Extended Tops

To accommodate larger equipment Solid Worktops (W) tops can be extended to 48" or 60"

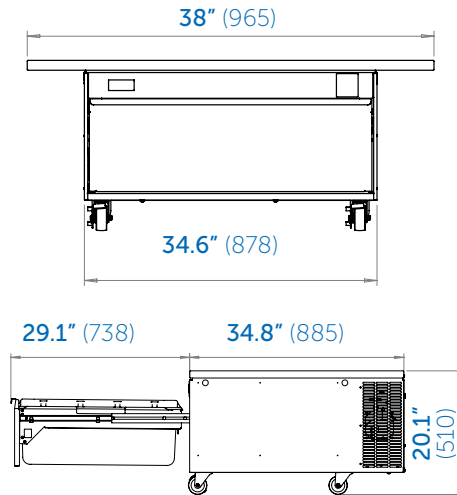
Elevations |

Chef Base VCR1
Standard Casters (C)
Solid Worktop (W)



VCR1/CW (illustrated)

Extended Chef Base VCR1
Standard Casters (C)
Extended Solid Worktop (EXT38W)



VCR1/C/EXT38W (illustrated)

Top |



Drawer Module |

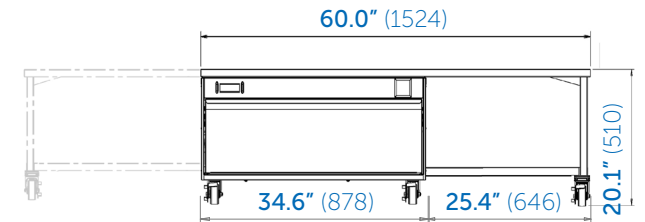


Bases |



Elevation |

Extended Chef Base VCR1
Standard Casters (C)
Extended Solid Worktop (EXT60W)



VCR1/C/EXT60W (illustrated - right hand extension)

ADANDE USA - SPECIFICATION OPTIONS

Rear Engine Chef Base + Solid Worktop

CHEF BASE + SOLID WORKTOP (W)	High Caster Base (HC)		Standard Caster Base (C)		Small Caster Base (SC)	
Finished Height	22.0" (558 mm)	VCR1/HCW	20.1" (510 mm)	VCR1/CW	18.8" (478 mm)	VCR1/SCW
Load Bearing Capacity	507 lb (230 kg)		507 lb (230 kg)		507 lb (230 kg)	

Rear Engine Chef Base + Extended Worktops

CHEF BASE+ EXTENDED WORKTOP	High Caster Base (HC)		Standard Caster Base (C)		Small Caster Base (SC)	
Finished Height	22.0" (558 mm)	VCR1/HC/EXT48W or VCR1/HC/EXT60W	20.1" (510 mm)	VCR1/C/EXT48W or VCR1/C/EXT60W	18.8" (478 mm)	VCR1/SC/EXT48W or VCR1/SC/EXT60W
Load Bearing Capacity	507 lb (230 kg)		507 lb (230 kg)		507 lb (230 kg)	